

CUSTOMER NAME:

CUSTOMER #:

**CUSTOMER PROPOSAL/CUT SHEET**

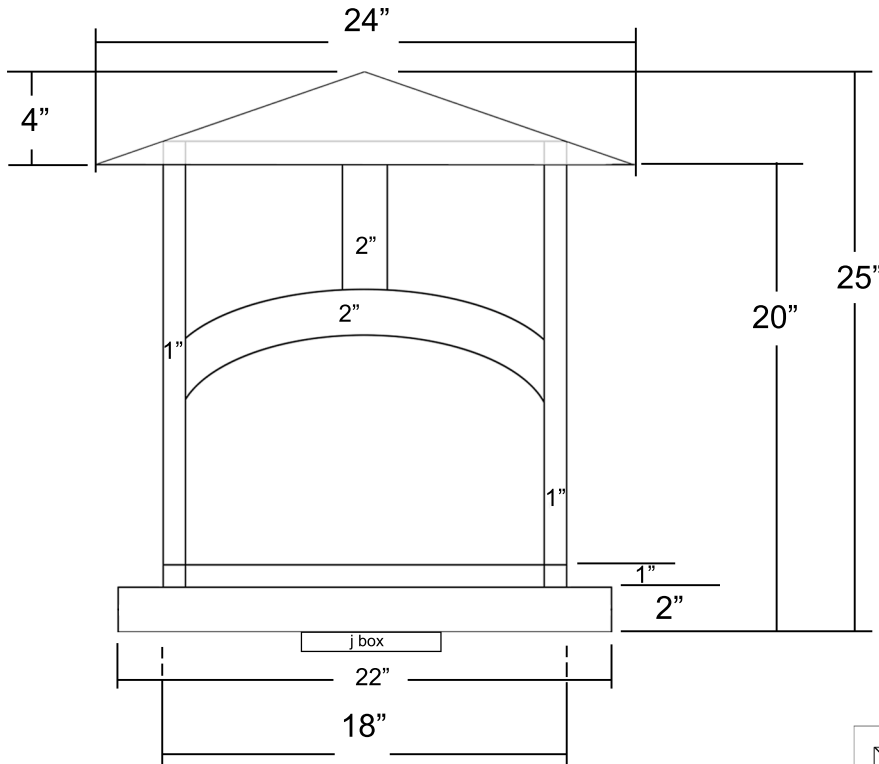


*"A Commitment to Excellence in Lighting and Service"*

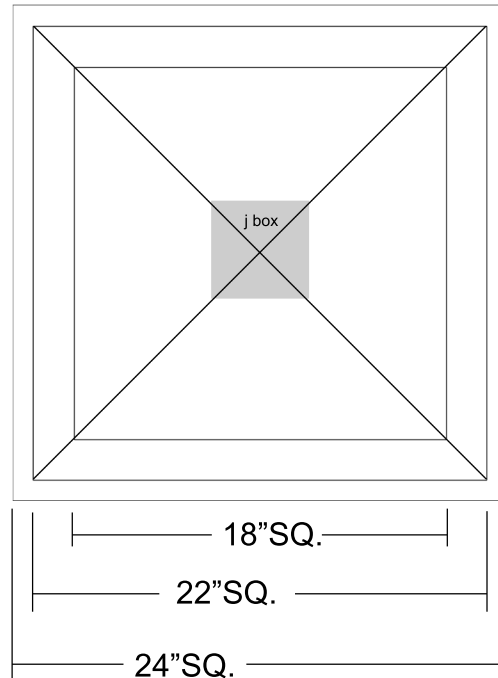
CALL OUR CUSTOMER SERVICE DEPARTMENT AT 1-800-222-4009

MONDAY - FRIDAY 8:00 a.m. - 6:00 p.m. ET

visit us on the web at [www.meyda.com](http://www.meyda.com)



TOP VIEW



© MEYDA TIFFANY, INC. © DESIGN COPYRIGHT, MEYDA TIFFANY, INC. ALL RIGHTS RESERVED, NO UNAUTHORIZED DUPLICATION



ITEM# 126520	BULB# 4	LOCATION
DESIGN# 7244-3	TYPE MEDIUM BASE	
FIXTURE TYPE PIERMOUNT	WATT 100	DIMENSIONS/NOTES
LENS/GLASS COLOR BEIGE	VOLTAGE 120	
FINISH CRAFTSMAN BROWN	MATERIAL BRASS/GLASS	WEIGHT