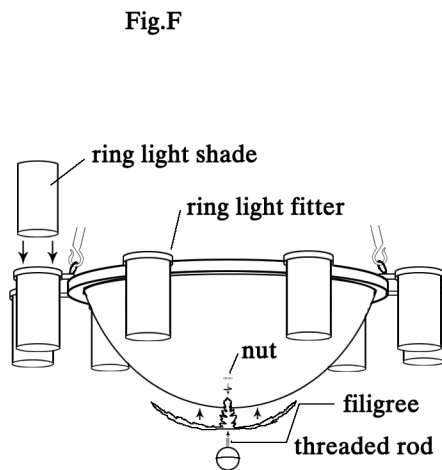
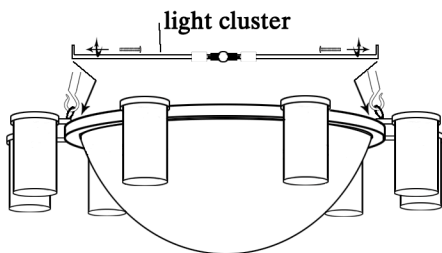
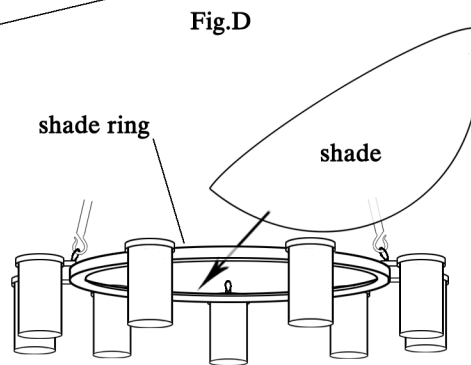
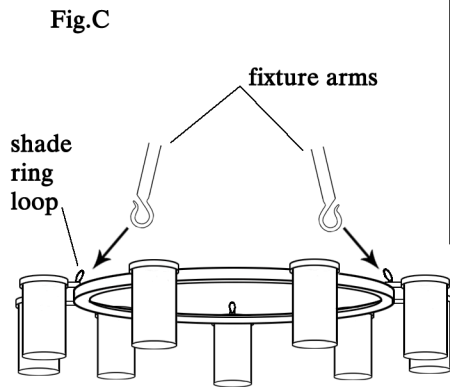
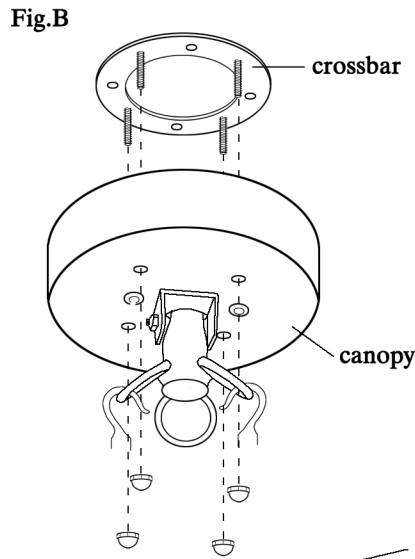
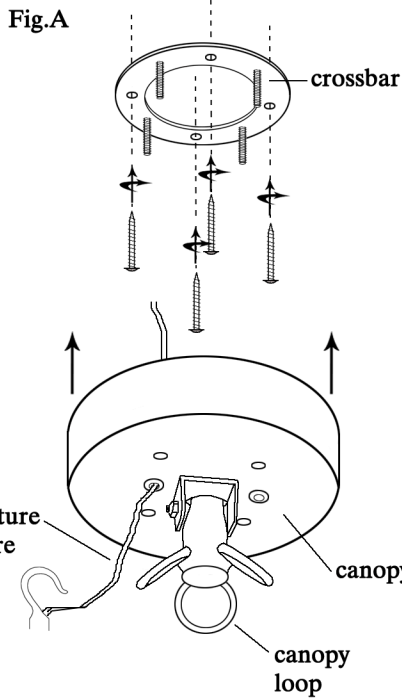


# ASSEMBLY INSTRUCTIONS FOR #125753 (201640-1)



## IMPORTANT

TURN OFF THE POWER AT THE MAIN FUSE OR CIRCUIT BREAKER BOX BEFORE STARTING INSTALLATION

CAREFULLY UNPACK AND IDENTIFY ALL PARTS BEFORE ASSEMBLY. BULBS ARE NOT INCLUDED

**THIS FIXTURE WEIGHS OVER 50 LBS. NEC:314.27B, A luminaire that weighs more than 23kg (50lb) shall be supported independently of the outlet box unless the outlet box is listed AND MARKED for the MAXIMUM weight to be supported.**

1. Attach crossbar to secure location. Screw fixture rods together (make sure large hook faces in and small hook faces out. bare wire ends are located at large hook end) then place fixture wire through hole in canopy, attach fixture rods to canopy loops. Fig.A

2. Wire as per local electrical code.

3. Attach canopy to crossbar. Fig.B

4. Attach (2) fixture arms to shade ring loops. Fig.C

5. Place shade into shade ring then attach remaining fixture arm. Fig.D

6. Attach light cluster arm to inside shade ring. Plug fixture wires to light cluster and ring light plugs. Fig.E

7. Place filigree onto finial threaded rod than place up through shade and attach with nut. Place ring light shades down into ring light fitters. Fig.F

(RING LIGHT SHADE ARE A TIGHT FIT, ROCK SHADE BACK AND FORTH WHILE PUSHING DOWN GENTLY)



*"A Commitment to Excellence in Lighting and Service"*

CALL OUR CUSTOMER SERVICE DEPARTMENT AT 1-800-222-4009

MONDAY - FRIDAY 8:00 a.m. - 6:00 p.m. ET

visit us on the web at [www.meyda.com](http://www.meyda.com)