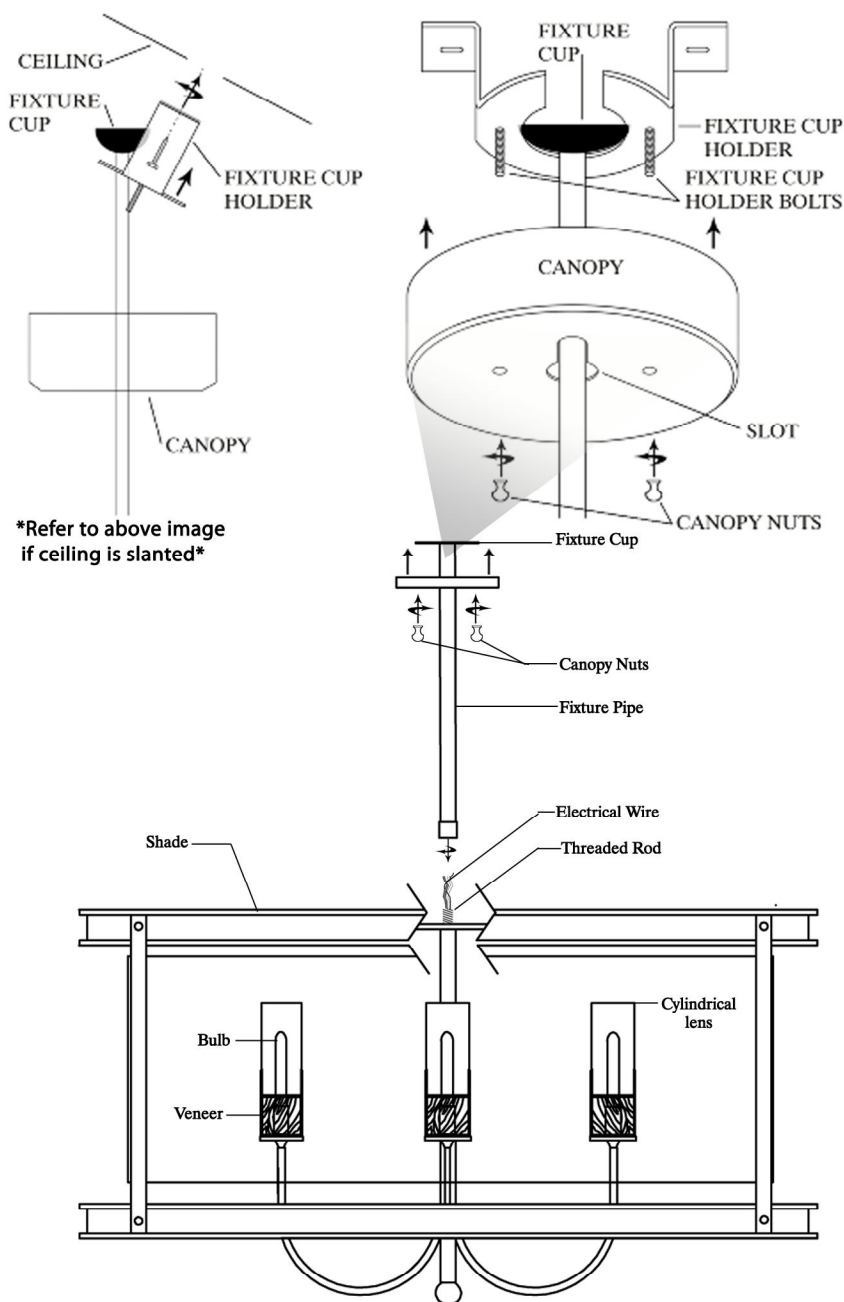


ASSEMBLY INSTRUCTIONS FOR #125521(59735-77)

Design #DF-6A



IMPORTANT

TURN OFF THE POWER AT THE MAIN FUSE OR CIRCUIT BREAKER BOX BEFORE STARTING INSTALLATION

CAREFULLY UNPACK AND IDENTIFY ALL PARTS BEFORE ASSEMBLY. BULBS ARE NOT INCLUDED

THIS IS A TWO PERSON JOB
 THIS FIXTURE WEIGHS OVER 50 LBS. NEC:314.27B, A luminaire that weighs more than 23kg (50lb) shall be supported independently of the outlet box unless the outlet box is listed AND MARKED for the MAXIMUM weight to be supported.

- 1.) Feed electrical wires through fixture pipe, screw pipe to threaded rod on shade.
- 2.) Attach fixture cup holder to a secure location.
- 3.) Place fixture cup into fixture cup holder.
- 4.) Wire as per local electrical code.
- 5.) Slide canopy up fixture pipe onto fixture cup holder bolts and attach with canopy nuts.
- 6.) Install bulbs and cylindrical lenses from under shade. Be careful not to scratch the veneer on the lenses.



"A Commitment to Excellence in Lighting and Service"

CALL OUR CUSTOMER SERVICE DEPARTMENT AT 1-800-222-4009

MONDAY - FRIDAY 8:00 a.m. - 6:00 p.m. ET

visit us on the web at www.meyda.com