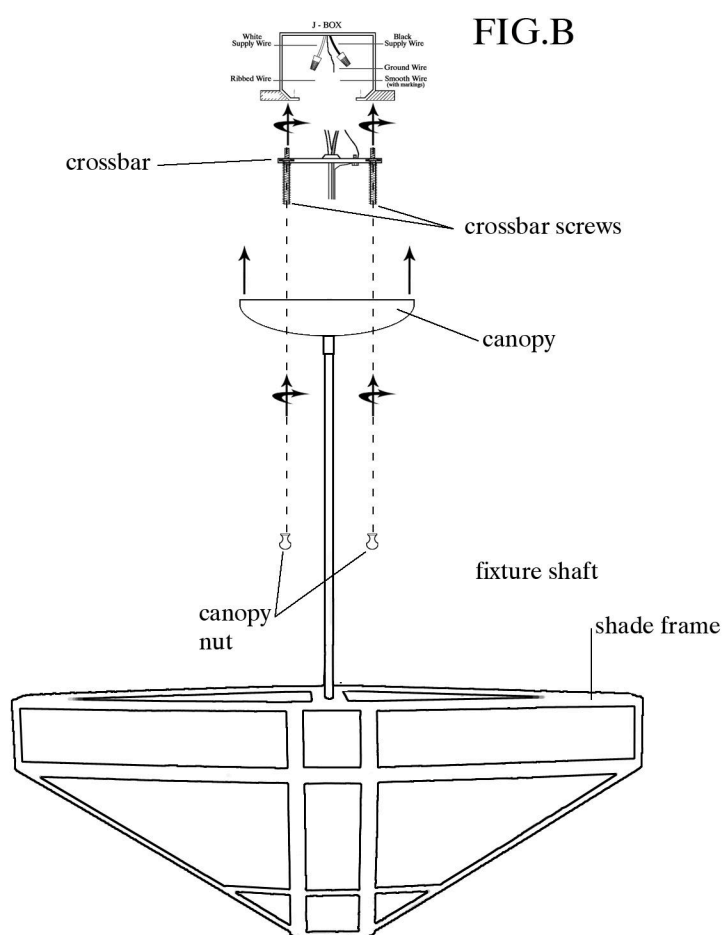
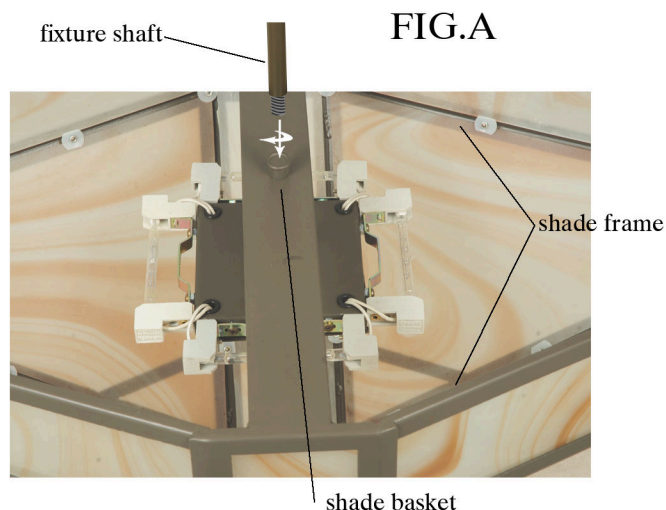


ASSEMBLY INSTRUCTIONS FOR #123896 (61371-1)



IMPORTANT

TURN OFF THE POWER AT THE MAIN FUSE OR CIRCUIT BREAKER BOX BEFORE STARTING INSTALLATION

CAREFULLY UNPACK AND IDENTIFY ALL PARTS BEFORE ASSEMBLY. BULBS ARE NOT INCLUDED

1. Instal glass panels (Match number on glass panel to number located on inside of shade frame).
2. Place light bulbs in sockets.
3. Remove red nut from fixture shaft.
4. Place fixture wire up through fixture shaft and through canopy.
5. Screw fixture shaft onto shade basket and tighten. FIG.A
6. Attach crossbar to j box.
7. Wire as per local electrical code.
8. Place fixture up and on to crossbar screws and secure with canopy nut. FIG.B



"A Commitment to Excellence in Lighting and Service"

CALL OUR CUSTOMER SERVICE DEPARTMENT AT 1-800-222-4009

MONDAY - FRIDAY 8:00 a.m. - 6:00 p.m. ET

visit us on the web at www.meyda.com