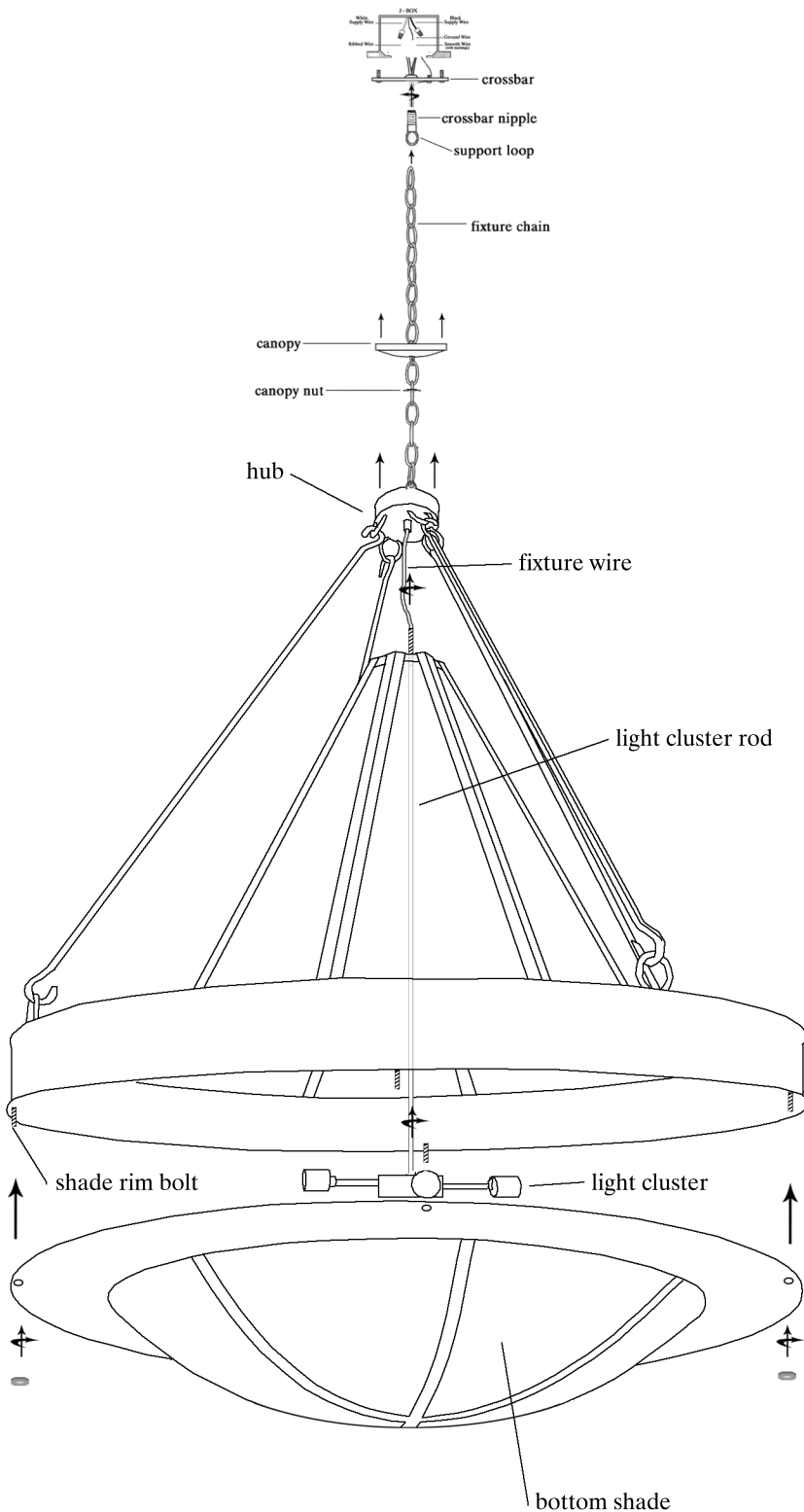


ASSEMBLY INSTRUCTIONS FOR #120176



IMPORTANT

TURN OFF THE POWER AT THE MAIN FUSE OR CIRCUIT BREAKER BOX BEFORE STARTING INSTALLATION

CAREFULLY UNPACK AND IDENTIFY ALL PARTS BEFORE ASSEMBLY. BULBS ARE NOT INCLUDED

1. Place fixture wires up through hub, screw light cluster rod into bottom of hub, place fixture wires through chain and canopy.
2. Attach canopy to jbox, wire as per local electrical code.
3. Slide canopy up to ceiling, screw canopy nut onto support loop and tighten to canopy.
4. Place light bulbs into sockets.
5. Place bottom shade up and attach to shade rim bolts.



"A Commitment to Excellence in Lighting and Service"

CALL OUR CUSTOMER SERVICE DEPARTMENT AT (800)843-1602

MONDAY - FRIDAY 8:00 a.m. - 6:00 p.m. ET

visit us on the web at www.2ndave.com

