

ASSEMBLY INSTRUCTIONS FOR #109913 (54061-3)

FIG.A

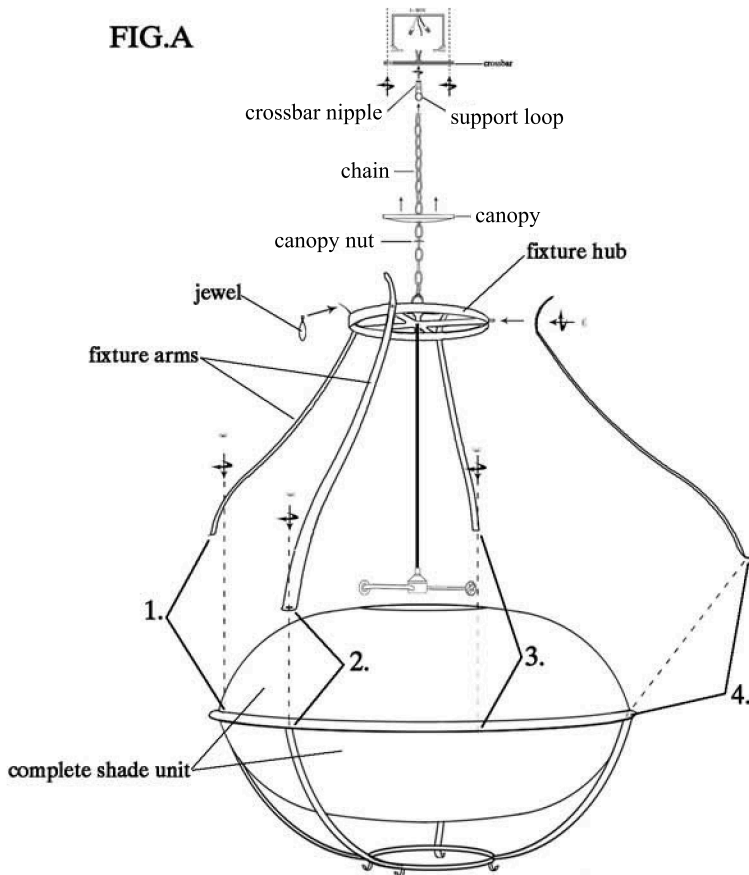


FIG.B

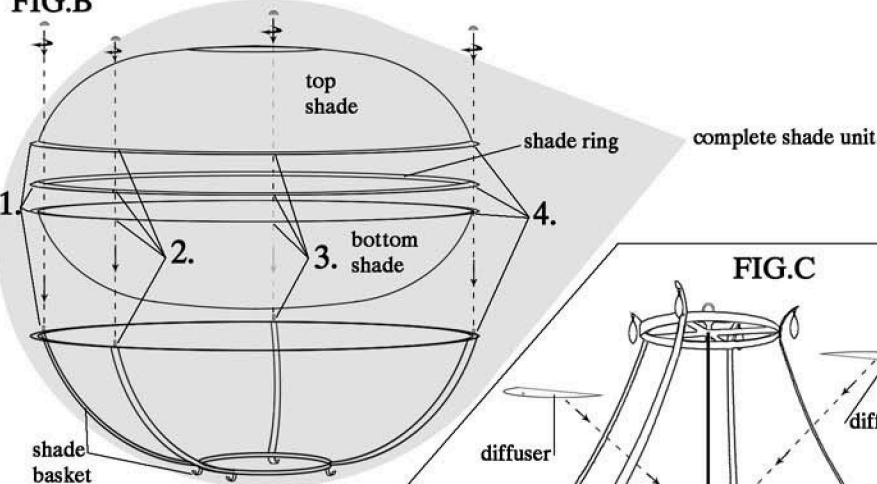
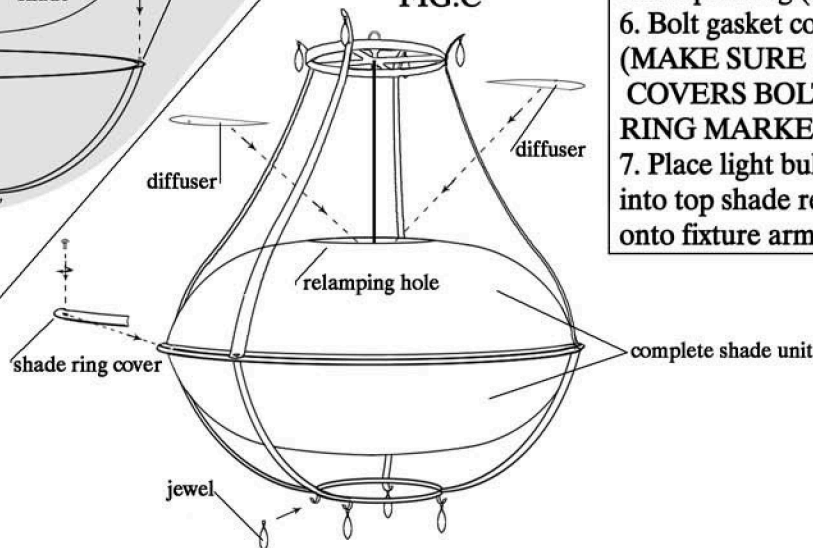


FIG.C



IMPORTANT

TURN OFF THE POWER AT THE MAIN FUSE OR CIRCUIT BREAKER BOX BEFORE STARTING INSTALLATION

CAREFULLY UNPACK AND IDENTIFY ALL PARTS BEFORE ASSEMBLY. BULBS ARE NOT INCLUDED

THIS FIXTURE WEIGHS OVER 50 LBS. NEC:314.27B, A luminaire that weighs more than 23kg (50lb) shall be supported independently of the outlet box unless the outlet box is listed AND MARKED for the MAXIMUM weight to be supported.

1. Attach crossbar w/crossbar nipple and support loop to suitable structural support, attach chain to support loop, place canopy than canopy nut onto chain, attach chain to fixture loop. FIG.A
2. Wire as per local electrical code.
3. Attach fixture arms to fixture hub, place jewels onto fixture arms. FIG.A
4. Place shade basket on flat surface, place bottom shade into shade basket, place shade ring onto bottom shade, place top shade onto shade gasket. MAKE SURE THAT SHADE BASKET, BOTTOM SHADE, SHADE RING AND TOP SHADE ALIGN TO NUMBERS 1-4 BOLT LOCATED ON SHADE BASKET. FIG.B
5. Place complete shade unit up and bolt to corresponding (1-4) fixture arms. FIG.A
6. Bolt gasket covers to complete shade unit. (MAKE SURE SHADE RING COVER COVERS BOLTS TO HOLES IN SHADE RING MARKED 1-4. FIG.C
7. Place light bulbs into sockets, place diffusers into top shade relamping hole, place jewels onto fixture arms. FIG.C



"A Commitment to Excellence in Lighting and Service"

CALL OUR CUSTOMER SERVICE DEPARTMENT AT 1-800-222-4009

MONDAY - FRIDAY 8:00 a.m. - 6:00 p.m. ET

visit us on the web at www.meyda.com