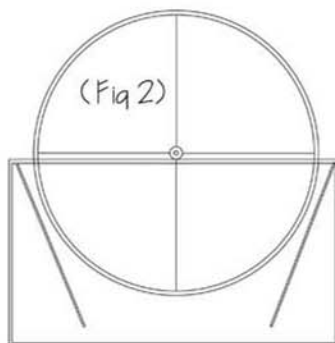
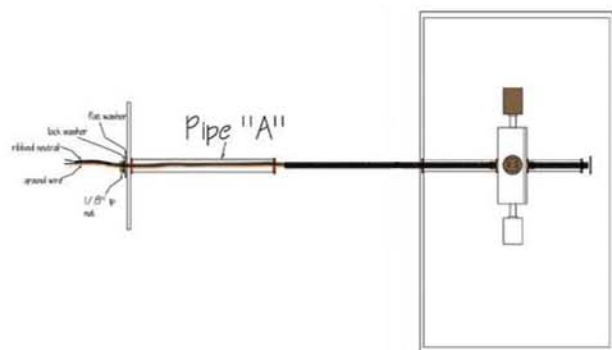
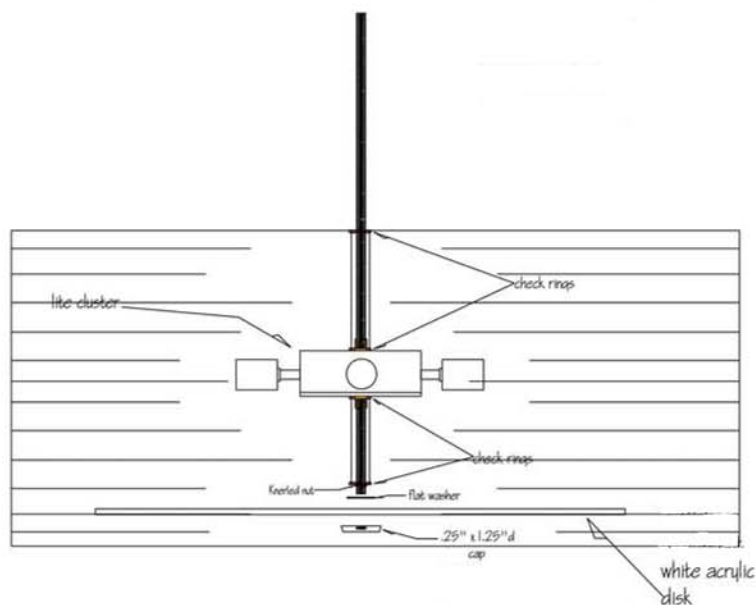
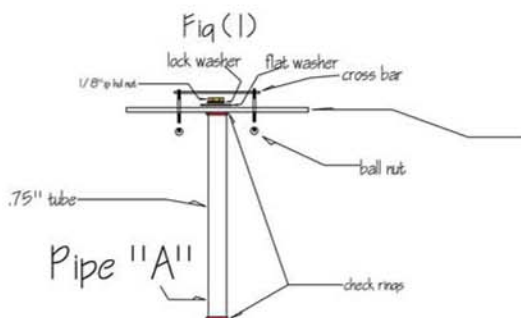


ASSEMBLY INSTRUCTIONS FOR 108954 (48259-23)



IMPORTANT

TURN OFF THE POWER AT THE MAIN FUSE OR CIRCUIT BREAKER BOX BEFORE STARTING INSTALLATION

CAREFULLY UNPACK AND IDENTIFY ALL PARTS BEFORE ASSEMBLY. BULBS ARE NOT INCLUDED

1. Each fixture component is shipped in a separate box. Box "A" is the 36" fabric shade. Box "B" includes diffuser and cluster assembly.
2. Remove 1/8" ip nut (fig.1) from top of ceiling canopy. Separate ceiling canopy disk from 3/4" pipe "A".
3. Remove fabric shade from box "A". Fold 2 clean box sides in. Use latex gloves when handling fabric shade to keep from soiling white shade. Set shade sideways into box (fig.2).
4. Slide threaded portion of 1/2" ip rod through inside of shade spider with wire to check ring.
5. Install flat and lock washer with 1/8" ip nut on top of disk canopy. Tighten securely.
6. Mount crossbar to J box and lift shade assembly to J box and wire as per local electrical code. Ribbed wire is the neutral wire.
7. Place flat washer on top of bottom diffuser and secure with 1 1/4" finial.

For technical assistance call
1-800-222-4009 ext. 240



"A Commitment to Excellence in Lighting and Service"

CALL OUR CUSTOMER SERVICE DEPARTMENT AT 1-800-222-4009

MONDAY - FRIDAY 8:00 a.m. - 6:00 p.m. ET

visit us on the web at www.meyda.com