

IMPORTANT

TURN OFF THE POWER AT THE MAIN FUSE OR CIRCUIT BREAKER BOX BEFORE STARTING INSTALLATION

CAREFULLY UNPACK AND IDENTIFY ALL PARTS BEFORE ASSEMBLY. BULBS ARE NOT INCLUDED

THIS IS A TWO PERSON JOB.

THIS FIXTURE WEIGHS OVER 50 LBS NEC:31427B, A luminaire that weighs more than 23kg (50lb) shall be supported independently of the outlet box. The Chandel-Air fixtures must be mounted to blocking that is capable of supporting its weight. See FIG.C for dimensions of mounting holes.

1. Place fixture wires through fixture pipe, place fixture pipe plate onto hub bolts (4), screw top lock nuts onto hub bolts and tighten. FIG.A

2. If fixture is attached to slanted ceiling place canopy onto fixture pipe. If fixture is attached to flat ceiling place cover plate than canopy onto fixture pipe. FIG.A

3. Place fixture cup onto fixture pipe, place pin into hole located at the top of fixture pipe (make sure pin is centered on fixture pipe so that fixture cup will seat properly). FIG.A

4. Attach fixture cup holder to ceiling. FIG.B

5. Place fixture cup into fixture cup holder. FIG.C

6. Wire as per local electrical code.
FOR SLANTED CEILING

7. Slide canopy up to ceiling and onto fixture cup holder bolts. Make sure canopy is placed with slot pointing to down side of ceiling. Screw canopy nuts onto fixture cup holder bolts and tighten.

FOR FLAT CEILING

8. Slide canopy and cover plate up to ceiling and onto fixture cup holder bolts. Screw canopy nuts onto fixture cup holder bolts and tighten.

9. Slide collar down fixture pipe, attach chain to loop on top of shade with quick link, slide collar up to tighten chain, tighten collar. FIG.D



"A Commitment to Excellence in Lighting and Service"

CALL OUR CUSTOMER SERVICE DEPARTMENT AT 1-800-222-4009

MONDAY - FRIDAY 8:00 a.m. - 6:00 p.m. ET

visit us on the web at www.meyda.com

SPECIFICATIONS

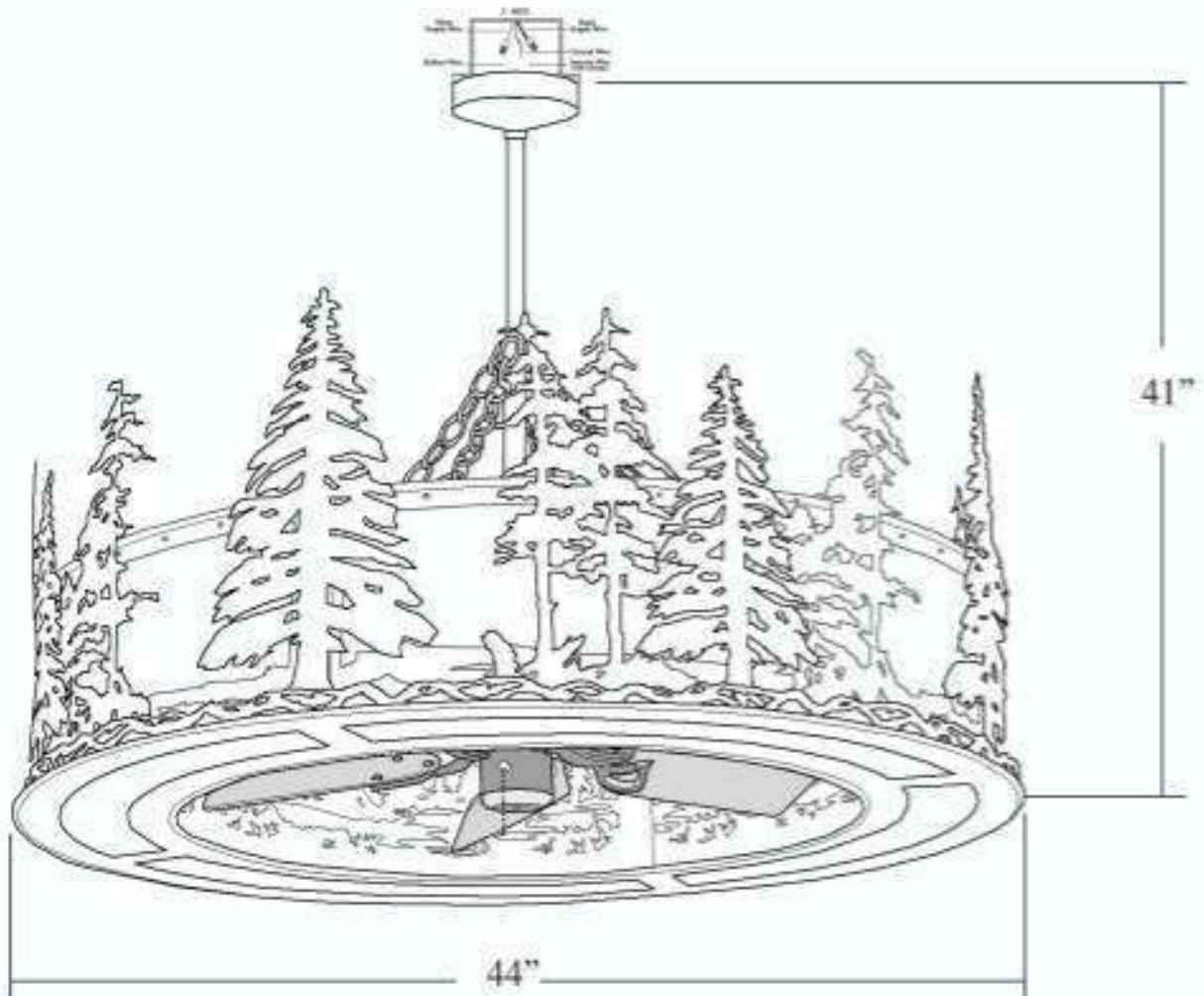


"A Commitment to Excellence in Lighting and Service"

CALL OUR CUSTOMER SERVICE DEPARTMENT AT 1-800-222-4009

MONDAY - FRIDAY 8:00 a.m. - 6:00 p.m. ET

visit us on the web at www.meyda.com



© MEYDA TIFFANY, INC. © DESIGN COPYRIGHT, MEYDA TIFFANY, INC. ALL RIGHTS RESERVED. NO UNAUTHORIZED DUPLICATION



ITEM# 108064	BULB# 8	LOCATION
DESIGN# 1-0371197068-93	TYPE MEDIUM BASE	
FIXTURE TYPE CHANDEL-AIR	WATT 100	DIMENSIONS/NOTES 29" FAN
LENS/ GLASS COLOR SILVER	VOLTAGE 120	
FINISH RUST/WROUGHT IRON	MATERIAL STEEL/MICA	WEIGHT 102 LBS

Fan Specifications

Integrating the best of both worlds, Chanlel-Air incorporates custom lighting design with fan technologies. Form and function presented beautifully. Designed for ceilings of any pitch or height. Dimming capabilities included. Fan specifications listed below.

Features

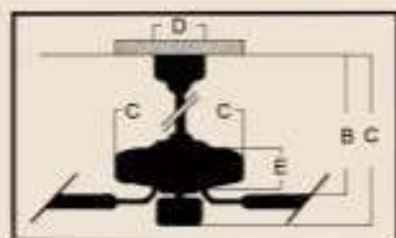
- Standard, 3 Speed Reversible motor
- 2" and 6" Down rods (included)
- 30 year limited warranty
- Custom 29" Piccolo Blades Sold Separately
- Light Kit Adaptable (optional)
- Universal Control Adaptable (UC-2000) (Optional)
- Great for Small Spaces

* Compare, 36" to 48" ceiling fans have air-flow efficiencies ranging from approximately 71 to 86 cubic feet per minute per watt at high speed

Specs

Blade Sweep	29"
Number of Blades	5
Blade Pitch	25"
Motor Size (MM)	153 x 8
AMPS (HI Speed)	0.4
Watts (HI Speed)	46
RPM (HI-MED-LOW)	200-120-55
Shipping Wt. (lbs.)	13.71
CU. FT in Carton	1
Airflow*	2,287 (Cubic Feet Per Minute)
Airflow Efficiency*	50 (Cubic Feet Per Minute Per Watt)

Ceiling Drop Dimensions



A: 2" DR - 10.25"	B: 2" DR - 8.0"
A: 6" DR - 14.25"	B: 6" DR - 12.0"
C: 9.0"	D: 5.875"
E: 3.25"	DR: Down rod

Available Finishes



AW-Antique White



BN-Brushed Nickel



OB-Oiled Bronze



W-White

Blade Options

Model Specific: Available in AW (Antique White), BN (Brushed Nickel), DOK (Dark Oak), LOK (Light Oak), OB (Oiled Bronze) and W (White)

Remotes (optional)

Universal Remote Control System with Receiver



UC-2000.W

*remote control units may vary