

CUSTOMER NAME:

CUSTOMER #:



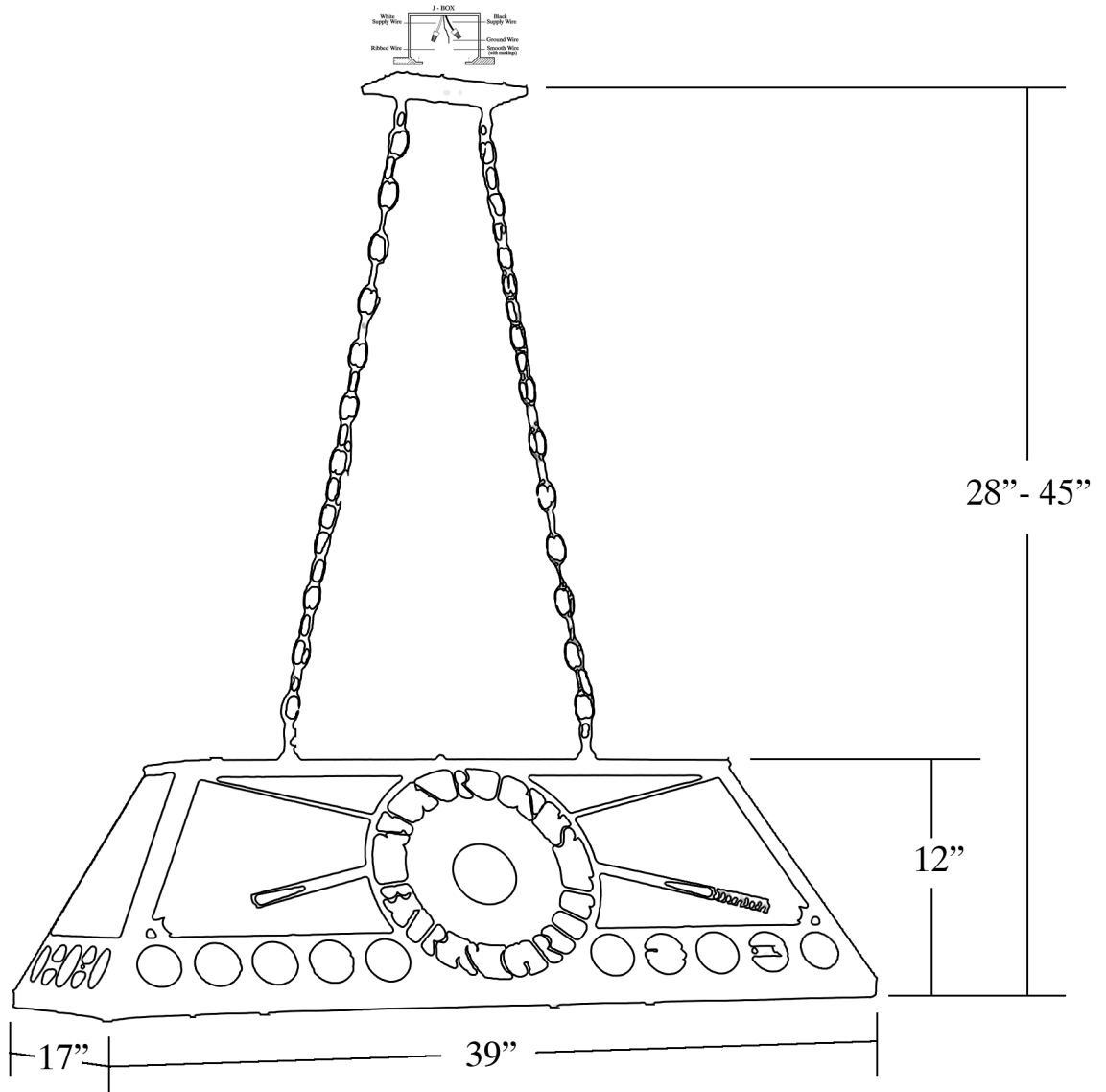
CUSTOMER PROPOSAL/CUT SHEET

"A Commitment to Excellence in Lighting and Service"

CALL OUR CUSTOMER SERVICE DEPARTMENT AT 1-800-222-4009

MONDAY - FRIDAY 8:00 a.m. - 6:00 p.m. ET

visit us on the web at www.meyda.com



© MEYDA TIFFANY, INC. © DESIGN COPYRIGHT, MEYDA TIFFANY, INC. ALL RIGHTS RESERVED, NO UNAUTHORIZED DUPLICATION



ITEM# 107191	BULB# 9	LOCATION
DESIGN# 1-0337177216-1	TYPE MEDIUM BASE	
FIXTURE TYPE CUSTOM OBLONG PENDANT	WATT 100	DIMENSIONS/NOTES
LENS/GLASS COLOR HONEY, GREEN, ORANGE, BLUE, BLACK, RED	VOLTAGE 120	
FINISH BLACK	MATERIAL STEEL/GLASS	WEIGHT 30 LBS.