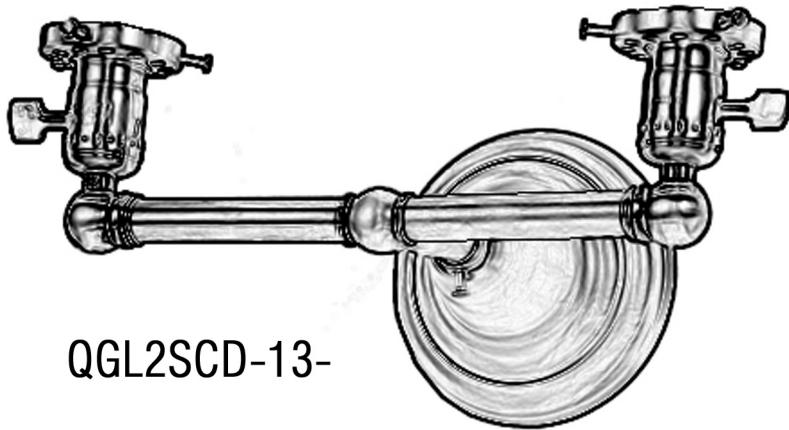
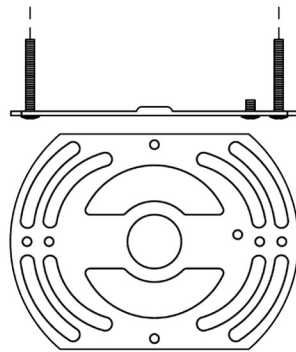


# ASSEMBLY INSTRUCTIONS FOR (QGL2SCD-13-)



QGL2SCD-13-



13" WIDE PADDLE SOCKET  
WALL SCNCE  
WITH 2.25" FITTERS

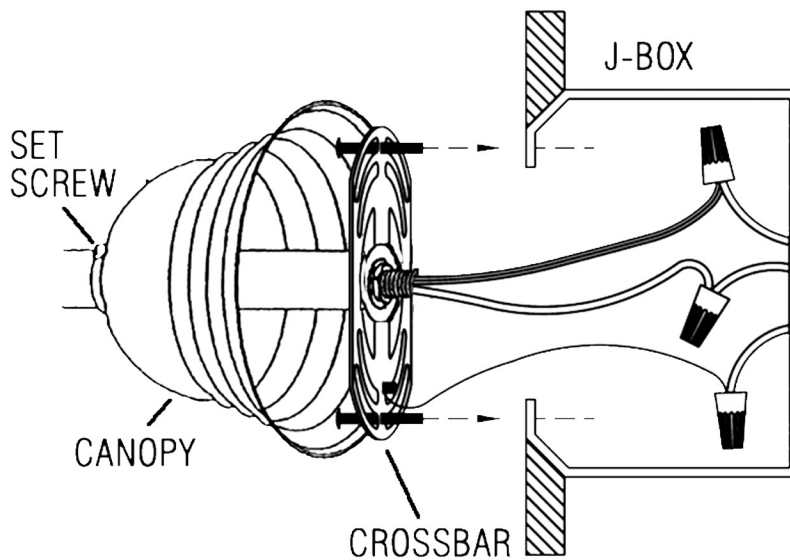
ATTACH GLASS SHADES  
INTO FITTERS  
WITH THUMBSCREWS  
PROVIDED

## IMPORTANT

TURN OFF THE POWER AT THE  
MAIN FUSE OR CIRCUIT BREAKER  
BOX BEFORE  
STARTING INSTALLATION

CAREFULLY UNPACK AND IDENTIFY ALL  
PARTS BEFORE ASSEMBLY. BULBS ARE  
NOT INCLUDED

1. Loosten set screw and slide canopy as far up tube/neck as possible.
2. Attach crossbar to J-BOX using screws provided.
3. Wire sconce to J-BOX per local electrical code.
4. Slide canopy back down tube/neck over crossbar tightly against wall. Secure by tightening set screw.
5. Turn power on to J-Box



*"A Commitment to Excellence in Lighting and Service"*

CALL OUR CUSTOMER SERVICE DEPARTMENT AT 1-800-222-4009

MONDAY - FRIDAY 8:00 a.m. - 6:00 p.m. ET

visit us on the web at [www.meyda.com](http://www.meyda.com)