

CUSTOMER NAME:

CUSTOMER #:

CUSTOMER PROPOSAL/CUT SHEET

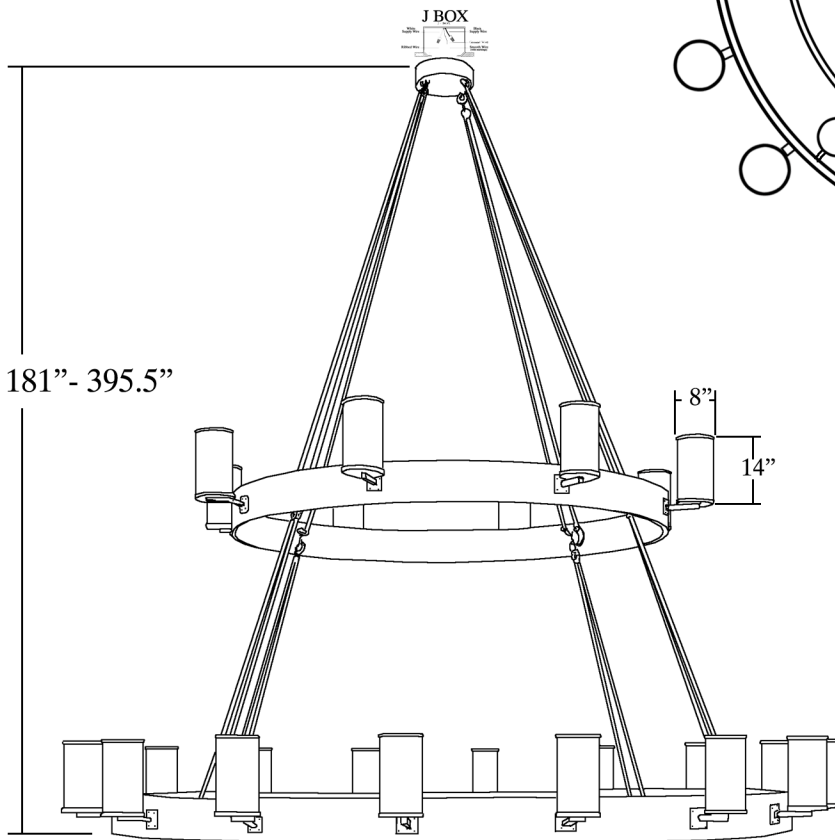
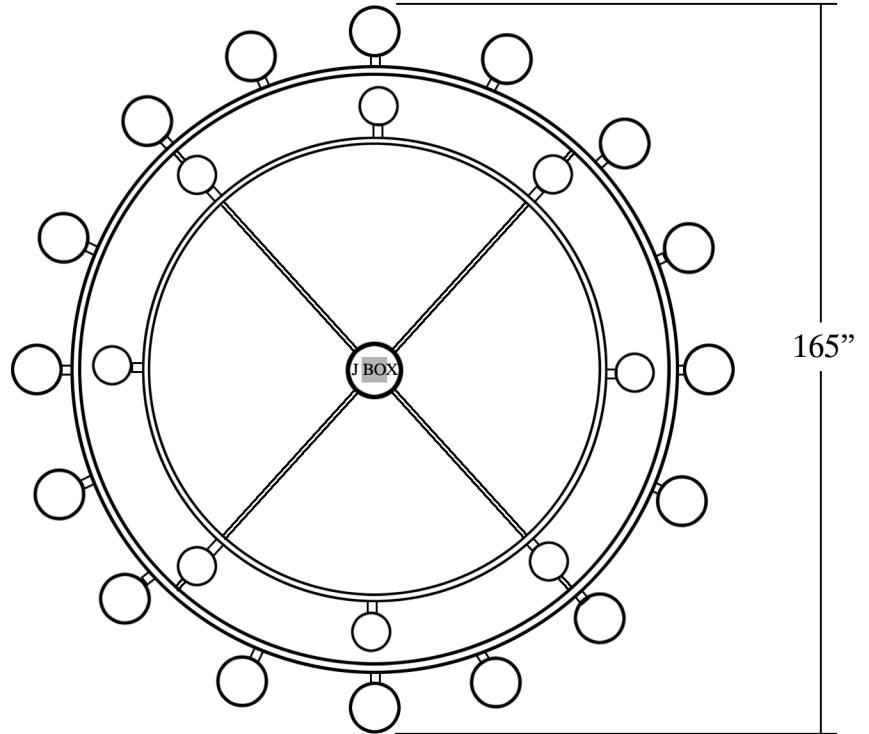


"A Commitment to Excellence in Lighting and Service"

CALL OUR CUSTOMER SERVICE DEPARTMENT AT 1-800-222-4009

MONDAY - FRIDAY 8:00 a.m. - 6:00 p.m. ET

visit us on the web at www.meyda.com



© MEYDA TIFFANY, INC. © DESIGN COPYRIGHT, MEYDA TIFFANY, INC. ALL RIGHTS RESERVED, NO UNAUTHORIZED DUPLICATION

ITEM#	100641	BULB#	24	LOCATION	
DESIGN#	1-0360193167-48	TYPE	MEDIUM BASE		
FIXTURE TYPE	CHANDELIER	WATT	60	DIMENSIONS/NOTES	
LENS/GLASS COLOR	AMBER	VOLTAGE	120		
FINISH	TIMELESS BRONZE	MATERIAL	STEEL/MICA		WEIGHT 518LBS