

ASSEMBLY INSTRUCTIONS FOR 31171 (QWB-1SB QWBC-100)

FIG.A

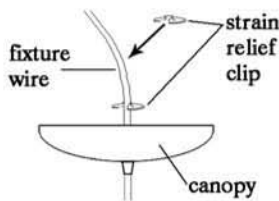


FIG.B

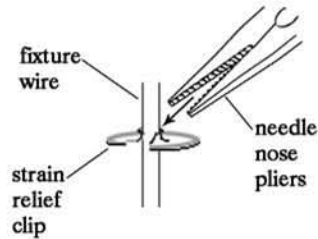


FIG.C

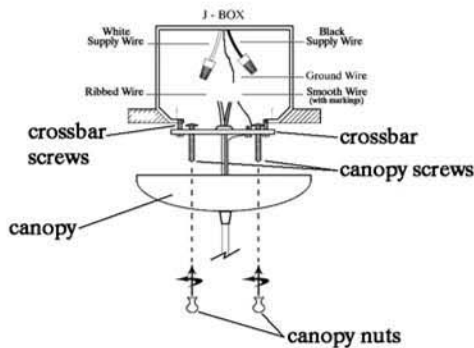


FIG.D

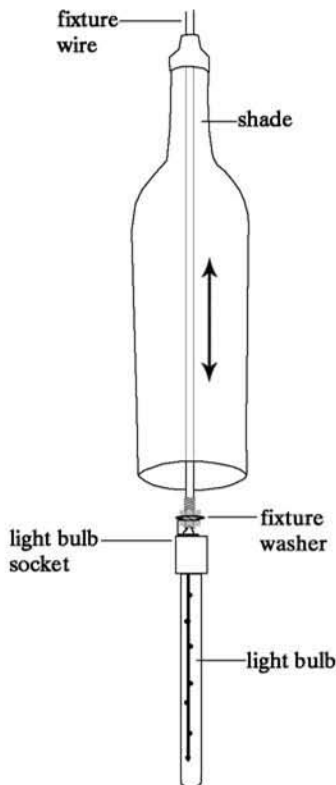
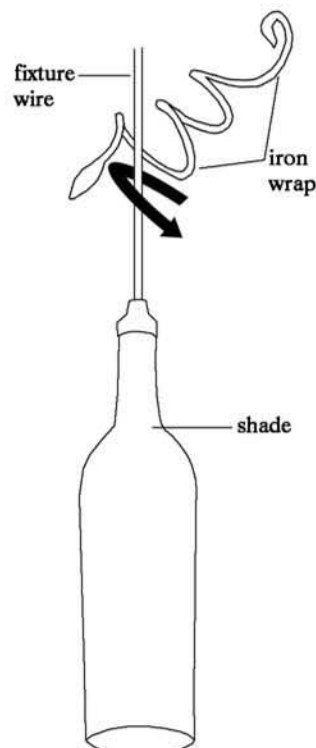


FIG.E



IMPORTANT

TURN OFF THE POWER AT THE MAIN FUSE OR CIRCUIT BREAKER BOX BEFORE STARTING INSTALLATION

CAREFULLY UNPACK AND IDENTIFY ALL PARTS BEFORE ASSEMBLY. BULBS ARE NOT INCLUDED

1. Thread fixture wire through canopy, determine the over all length of fixture from ceiling to the bottom of shade.
2. Add 1" to pre determined fixture wire length and place strain relief clip onto wire at this location. FIG.A
3. Using needle nose pliers crimp strain relief clip onto fixture wire. FIG.B
4. Screw crossbar onto j-box, make sure canopy screws protrude downward from crossbar so that when canopy is placed to ceiling 1/4" of thread is exposed from canopy. Wire as per local electrical code. Screw canopy nuts onto canopy screws and tighten. FIG.C
5. Slide shade up onto fixture wire to expose light bulb socket. Place light bulb into socket, slide shade down to seat onto fixture washer. FIG.D
6. Corkscrew iron wrap onto fixture wire and seat onto shade as shown. FIG.E



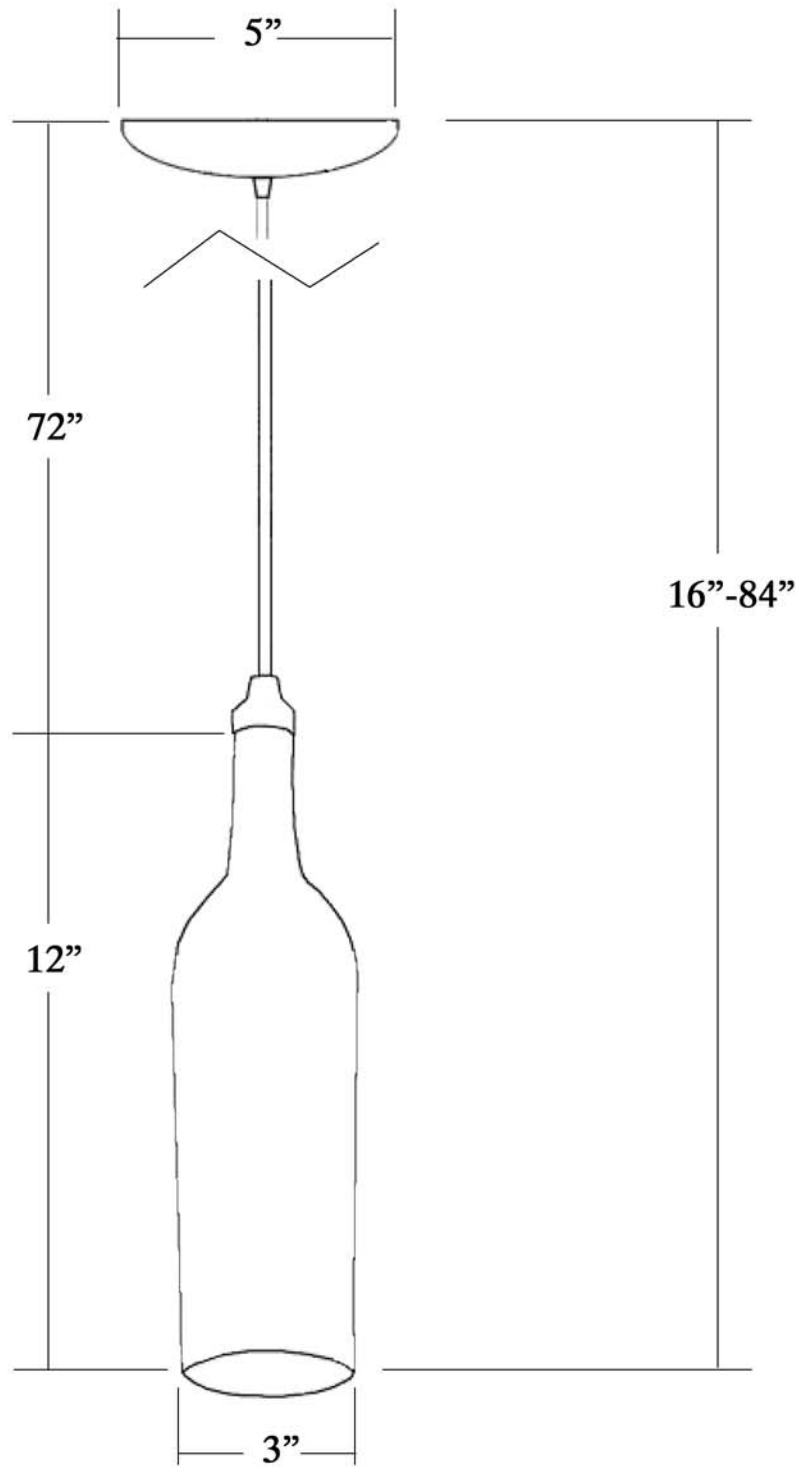
"A Commitment to Excellence in Lighting and Service"

CALL OUR CUSTOMER SERVICE DEPARTMENT AT 1-800-222-4009

MONDAY - FRIDAY 8:00 a.m. - 6:00 p.m. ET

visit us on the web at www.meyda.com

CUT SHEET, ITEM #31171



AVAILABLE COLORS: RED FROSTED, AMBER FROSTED, CHROME/BLUE TRANSPARENT, ANTIQUE GREEN FROSTED, WHITE FROSTED, BLUE FROSTED

BULB: 1 (INCLUDED)
TYPE: T6
WATT: 40



© DESIGN COPYRIGHT, MEYDA TIFFANY, INC. ALL RIGHTS RESERVED, NO UNAUTHORIZED DUPLICATION

© MEYDA TIFFANY, INC.

DRAWN BY 244		APRVD. BY	DATE 12/10/08	DESCRIPTION WINE BOTTLE PENDANT	PROJECT NUMBER
VOLTAGE 110				FIXTURE TYPE PENDANT	DESIGN NUMBER QWB-1SB-QWBC-100
				MATERIAL GLASS BRASS, STEEL	FINISH BLACK
					FINAL MODEL NUMBER 31171