

THIS FIXTURE WEIGHS OVER 50 LBS.

NEC:314.27B, A luminaire that weighs more than 23kg (50lbs.) shall be supported independently of the outlet box unless the outlet box is listed AND MARKED for the MAXIMUM WEIGHT to be supported.

0737 04/09/13
0700 09/20/16

ASSEMBLY INSTRUCTIONS FOR #178022

FIG. A

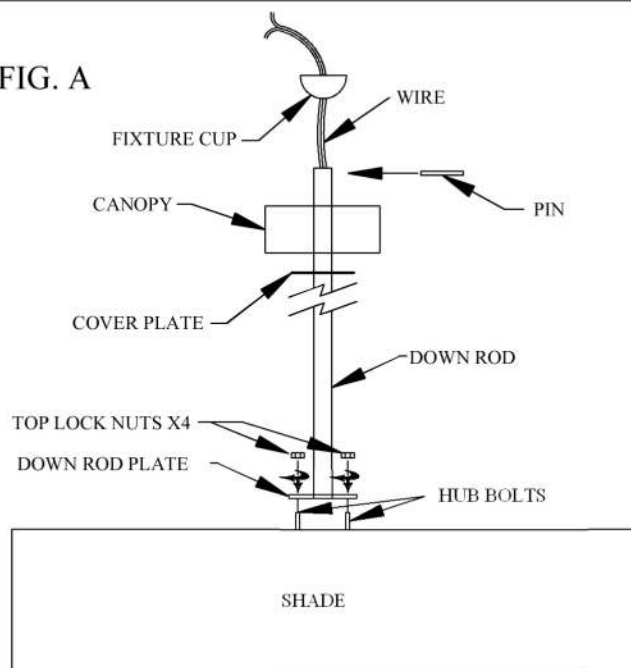


FIG. B

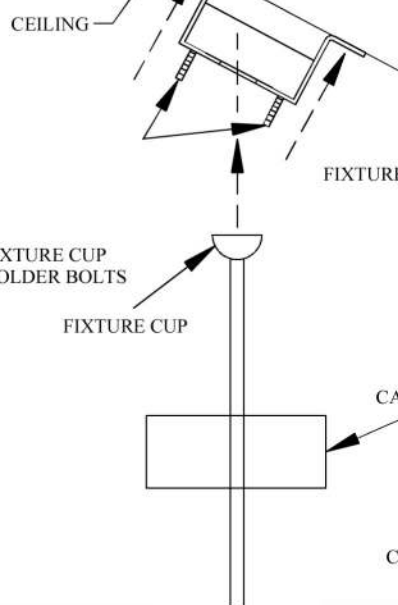


FIG. C

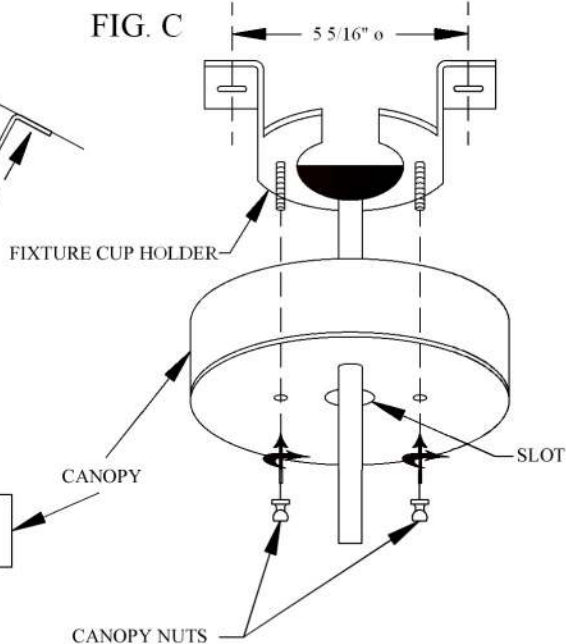
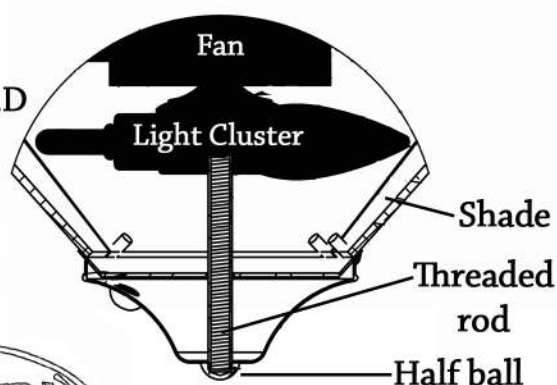


Fig.D



IMPORTANT

TURN OFF THE POWER AT THE MAIN FUSE OR CIRCUIT BREAKER BOX BEFORE STARTING INSTALLATION

CAREFULLY UNPACK AND IDENTIFY ALL PARTS BEFORE ASSEMBLY. BULBS ARE NOT INCLUDED

BE SURE TO FEED ALL OF THE EXISTING WIRES UP THROUGH THE DOWNROD. THIS IS A TWO PERSON JOB

- 1.) ATTACH FIXTURE CUP HOLDER TO A SECURE LOCATION USING FASTENERS SUPPLIED BY OTHERS. FIG. B
- 2.) CUT DOWN ROD TO DETERMINED LENGTH BY MEASURING UP FROM DOWN ROD PLATE.
- 3.) REDRILL A 1/4" HOLE 1/4" DOWN FROM CUT EDGE OF DOWN ROD.
- 2.) FEED WIRES THROUGH DOWN ROD. PLACE DOWNROD PLATE ONTO HUB BOLTS (4) AND TIGHTEN WITH LOCK NUTS PROVIDED FIG. A.

FOR SLANTED CEILING

- 3.) SLIDE CANOPY ONTO DOWN ROD FIG. A
- 4.) PLACE FIXTURE CUP ONTO DOWN ROD. INSERT PIN INTO END OF DOWN ROD MAKING SURE PIN IS CENTERED TO ENSURE PROPER SEATING INTO FIXTURE CUP. FIG. A
- 5.) HANG FIXTURE BY SLIDING FIXTURE CUP THROUGH SLOT IN FIXTURE CUP HOLDER. FIG. B
- 6.) WIRE AS PER LOCAL ELECTRICAL CODES.
- 7.) ATTACH CANOPY FASTENING WITH CANOPY NUTS PROVIDED. FIG. C

FOR FLAT CEILING

- 8.) FEED WIRES THROUGH DOWN ROD. PLACE DOWN ROD PLATE ONTO HUB BOLTS (4) AND TIGHTEN WITH LOCK NUTS PROVIDED FIG. A.)
- 9.) SLIDE COVER PLATE THEN CANOPY OVER DOWN ROD. FIG. A
- 10.) PLACE FIXTURE CUP ONTO DOWN ROD. INSERT PIN INTO END OF DOWN ROD MAKING SURE PIN IS CENTERED TO ENSURE PROPER SEATING INTO FIXTURE CUP. FIG. A
- 11.) HANG FIXTURE BY SLIDING FIXTURE CUP THROUGH SLOT IN FIXTURE CUP HOLDER. FIG. B
- 12.) WIRE AS PER LOCAL ELECTRICAL CODES.
- 13.) ATTACH CANOPY AND COVER PLATE, FASTENING WITH CANOPY NUTS PROVIDED. FIG. C.

ATTACHING FAN LIGHT (SEE FIG.D)

- 14.) SCREW THREADED ROD INTO THE UNDERSIDE OF THE LIGHT CLUSTER. SCREW NUT ONTO THREADED ROD JUST A LITTLE. PLACE WASHER ONTO THREADED ROD, THEN FAN SHADE. SECURE SHADE IN PLACE BY SCREWING HALF BALL ONTO THREADED ROD.



"A Commitment to Excellence in Lighting and Service"

CALL OUR CUSTOMER SERVICE DEPARTMENT AT 1-800-222-4009

MONDAY - FRIDAY 8:00a.m - 6:00p.m ET

visit us on the web at www.meyda.com