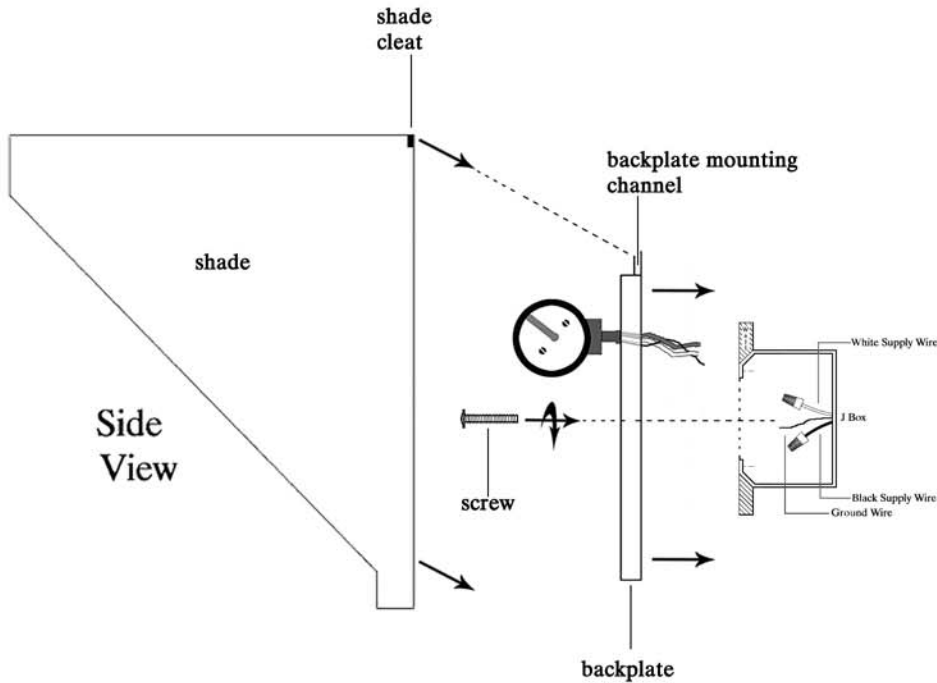


# ASSEMBLY INSTRUCTIONS FOR #11109 (MS217-14SC-1)



## IMPORTANT

TURN OFF THE POWER AT THE MAIN FUSE OR CIRCUIT BREAKER BOX BEFORE STARTING INSTALLATION

CAREFULLY UNPACK AND IDENTIFY ALL PARTS BEFORE ASSEMBLY. BULBS ARE NOT INCLUDED

1. Wire backplate to j-box as per local electrical code.
2. Screw backplate to j-box.
3. Place shade onto backplate, make sure shade cleat is seated into backplate mounting channel.



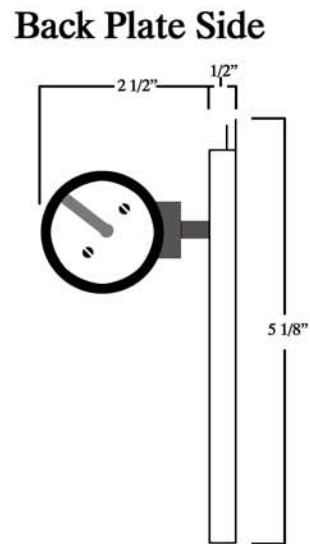
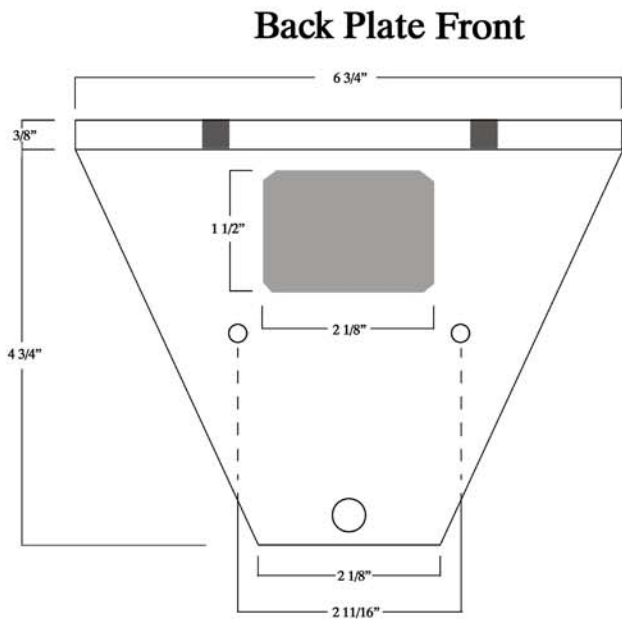
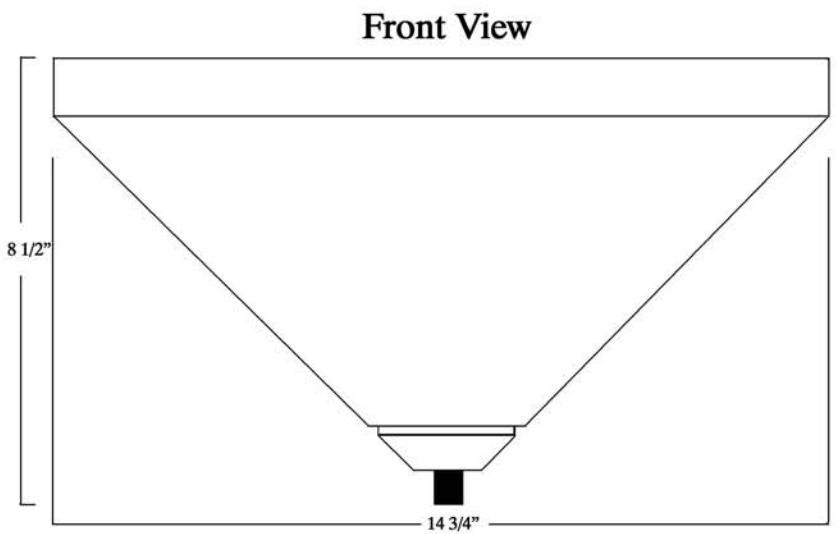
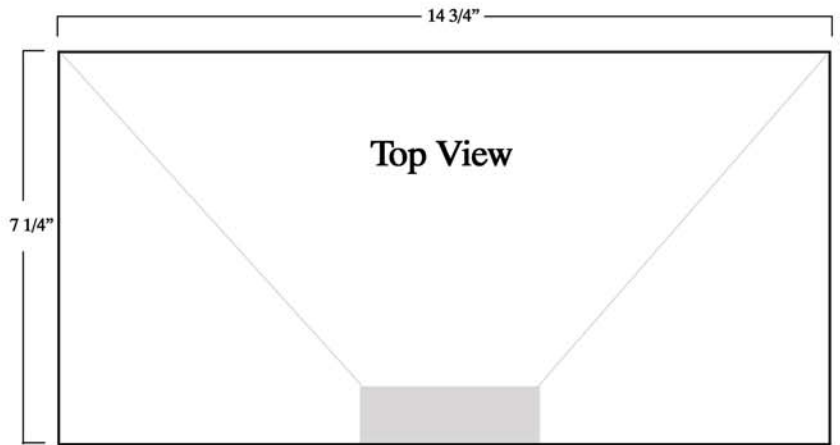
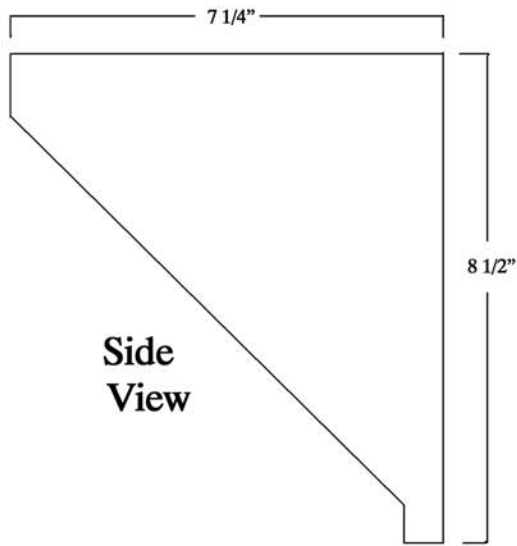
*"A Commitment to Excellence in Lighting and Service"*

CALL OUR CUSTOMER SERVICE DEPARTMENT AT 1-800-222-4009

MONDAY - FRIDAY 8:00 a.m. - 6:00 p.m. ET

visit us on the web at [www.meyda.com](http://www.meyda.com)

# CUT SHEET, ITEM # 11109



© DESIGN COPYRIGHT, MEYDA TIFFANY, INC. ALL RIGHTS RESERVED, NO UNAUTHORIZED DUPLICATION

© MEYDA TIFFANY, INC.

DRAWN BY			DISCRIPTION		PROJECT NUMBER
APRVD. BY	DATE	FIXTURE TYPE			DESIGN NUMBER
		MATERIAL	FINISH	FINAL MODEL NUMBER	