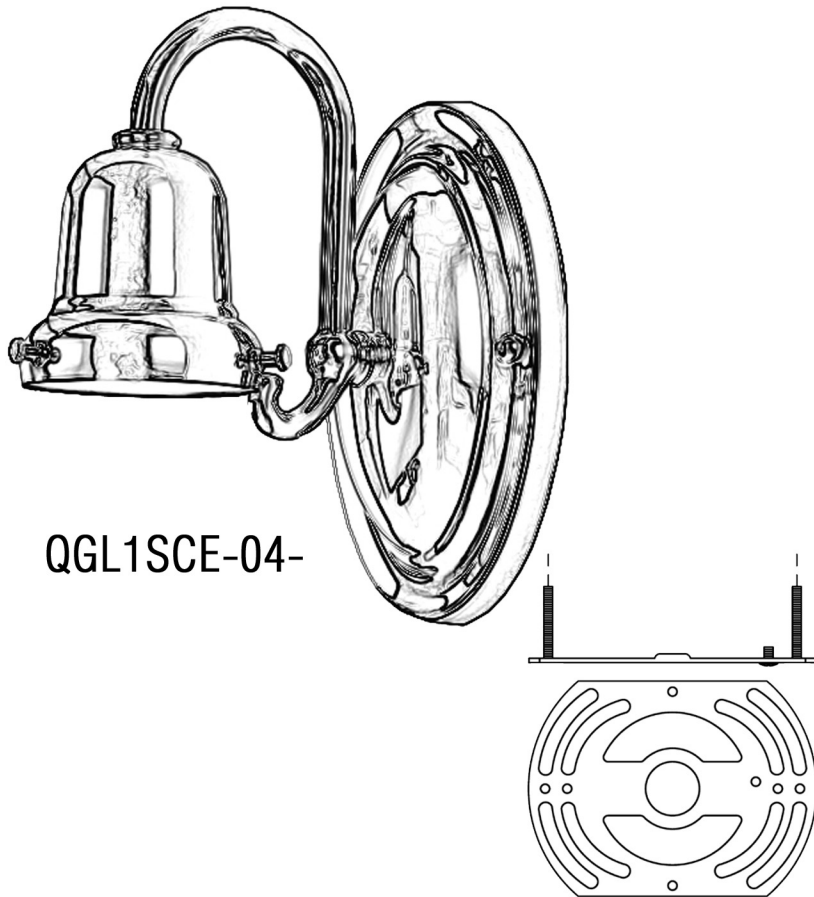
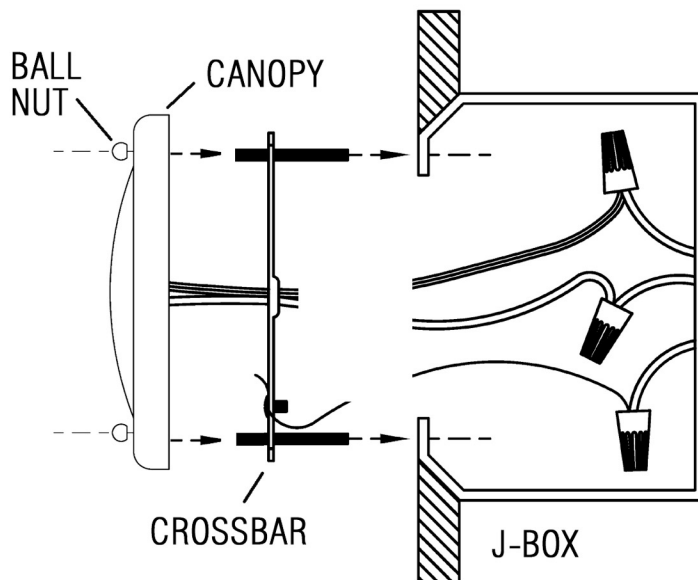


ASSEMBLY INSTRUCTIONS FOR (QGL1SCE-04-)



4" WIDE WALL SCENCE
WITH 2.25" FITTER

ATTACH GLASS SHADE
INTO FITTER
WITH 3 THUMBSCREWS
PROVIDED



IMPORTANT

TURN OFF THE POWER AT THE
MAIN FUSE OR CIRCUIT BREAKER
BOX BEFORE
STARTING INSTALLATION

CAREFULLY UNPACK AND IDENTIFY ALL
PARTS BEFORE ASSEMBLY. BULBS ARE
NOT INCLUDED

1. Remove crossbar from sconce plate.
(save ball nuts and threaded studs).
2. Attach crossbar to J-BOX using
studs removed from sconce.
3. Wire sconce to J-BOX per local
electrical code.
4. Slide sconce canopy over studs
attached to crossbar and secure
against wall using ball nuts that
had been removed in step 1.
5. Turn power on to J-Box



"A Commitment to Excellence in Lighting and Service"

CALL OUR CUSTOMER SERVICE DEPARTMENT AT 1-800-222-4009

MONDAY - FRIDAY 8:00 a.m. - 6:00 p.m. ET

visit us on the web at www.meyda.com